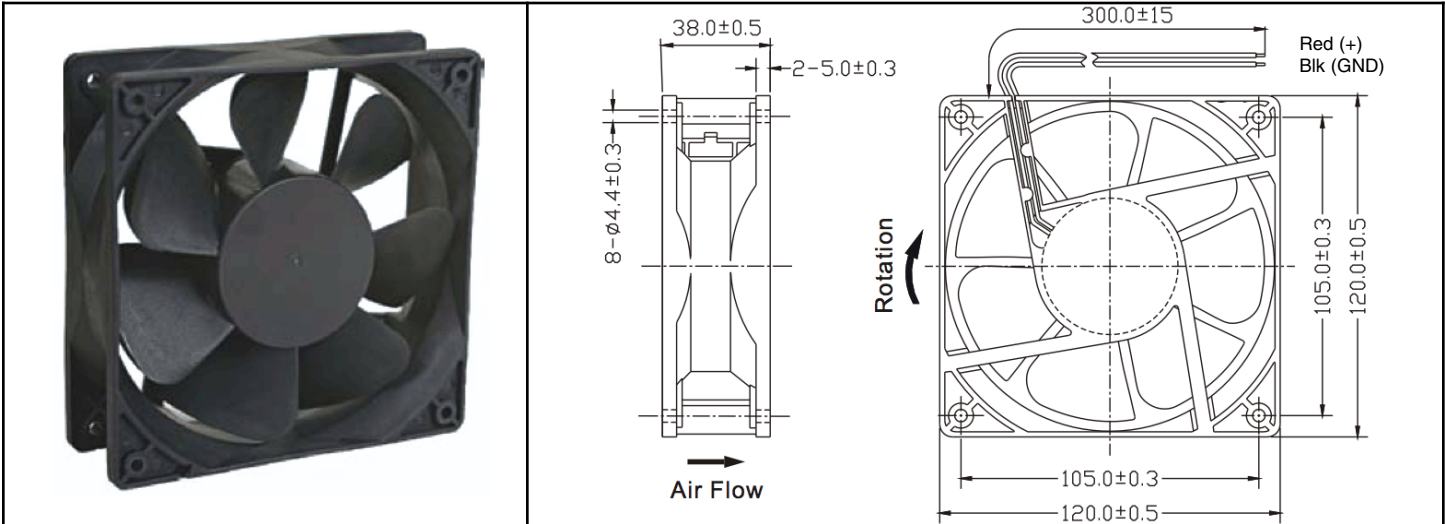


OD1238-60HB



DC Fan - 60VDC
120x38mm (4.7"x 1.5")



Frame & Impeller	PBT, UL94V-O plastic	Available Options: IP55 Tachometer Alarm PWM Input (Pulse Width Modulation Speed Control)	
Connection	2x Lead wires, UL1007 24AWG		
Motor	Brushless DC, auto restart, IC protected		
Bearing System	Dual ball bearing		
Insulation Resistance	10M ohm between leadwire and frame (500VDC)		
Dielectric Strength	1 second at 500 VAC, max leakage - 500 MicroAmp		
Temperature Range	-20C ~ +70C		
Life (L10)	65,000 hours (45C)		

Model Number	OD1238-60HB
Part Number	123741004
Nominal Voltage	60 VDC
Voltage Range	36 ~ 72 VDC
Nominal Current	0.30 A
Rated Speed (RPM)	2600
Airflow (CFM)	115
Noise Level (dB)	41
Max. Static Pressure	0.30" H2O

Mouser Electronics

Authorized Distributor

Click to View Pricing, Inventory, Delivery & Lifecycle Information:

[Orion Fans:](#)

[OD1238-60HB](#) [OD1238-60HB\(02A\)](#)